

NATURAL LIGHT TUBULAR SKYLIGHTS

The Difference is Night and Day!



Dark warehouses and commercial office buildings are no match for Natural Light's 21" tubular skylights. Installed on virtually any type of roof surface in under two hours, our 21" commercial units are capable of delivering up to 1400 watts of light without the heat gain or loss of standard framed-in skylights.



25 YEAR PRODUCT WARRANTY

ICBO TESTED & APPROVED

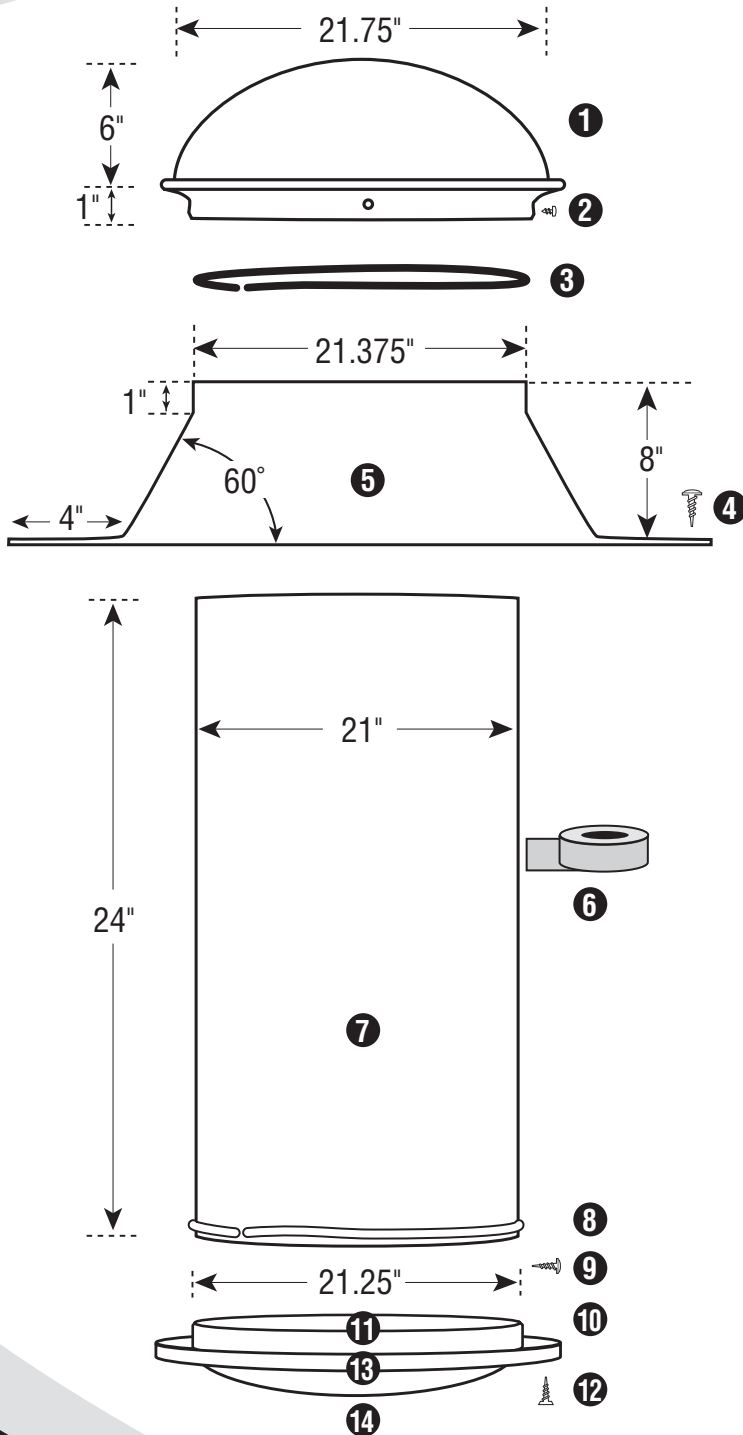
FLORIDA BUILDING CODE APPROVED

HURRICANE TESTED & APPROVED



www.nltubular.com

21" Tubular Skylight Technical Specifications



21" FLAT ROOF FLASHING

1. Clear UV Protected, 100% High Impact Modified Acrylic Dome
2. (4) Philips Head Stainless Steel 1/4" Sheet Metal Screws
3. Black Nylon Horse Hair Gasket (Self-Adhesive Backed)
4. (6) Philip Head Stainless Steel 1 1/2" Screws
5. 1100 Series, .080" Thickness, Aircraft Grade Aluminum Flashing
6. Heavy Duty Foil Tape
7. Light Pipe, (2) 24" Sections per Kit
8. White Nylon Horse Hair Gasket (Self-adhesive Backed)
9. (6) Tek Screws
10. (3) Black Speed Nuts
11. Aluminum Ceiling Ring
12. (3) 1 1/2" Phillips Screws
13. White Powder Coated Aluminum Trim Ring
14. High Impact Acrylic Soft White or Prismatic Diffuser

COVERAGE AREA

up to 700 sq. ft.

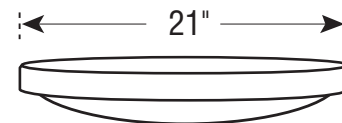
WATTAGE OUTPUT EQUIVALENT

up to 1450 watts

MAXIMUM TUBE LIGHT LENGTH

20 feet

ICBO
Approved



21" TRIM RING WITHOUT CEILING ACCESS